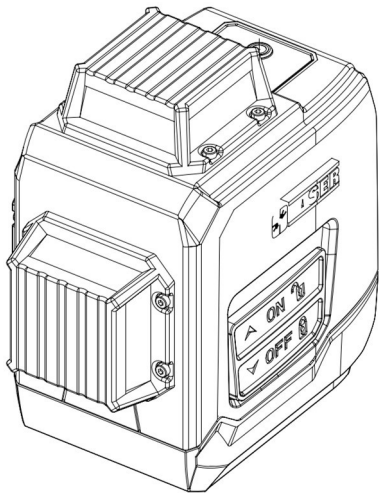


360° LEVELER GREEN LASER

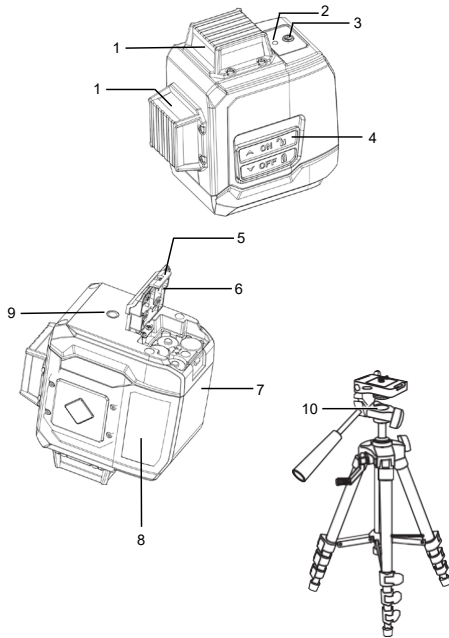


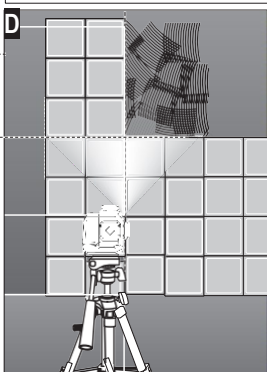
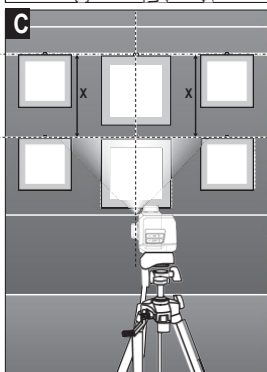
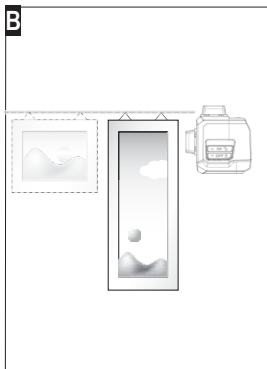
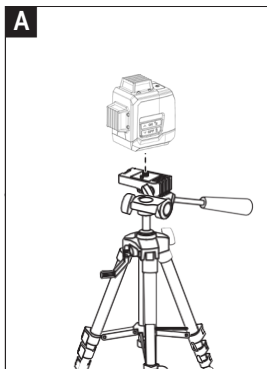
ENGLISH (ORIGINAL INSTRUCTION)

IMPORTANT

Read before using

Model No. 3241PTL02





Safety Notes



All instructions must be read and observed in order to work safely with the measuring tool. Never make warning signs on the measuring tool unrecognisable. SAVE THESE INSTRUCTIONS FOR FUTURE REFERENCE AND INCLUDE THEM WITH THE MEASURING TOOL WHEN GIVING IT TO A THIRD PARTY.

- Caution – The use of other operating or adjusting equipment or the application of other processing methods than those mentioned here can lead to dangerous radiation exposure.
- The measuring tool is provided with a warning label



- If the text of the warning label is not in your national language, stick the provided warning label in your national language over it before operating for the first time.



Do not direct the laser beam at persons or animals and do not stare into the direct or reflected laser beam yourself, not even from a distance. You could blind somebody, cause accidents or damage your eyes.

- If laser radiation strikes your eyes, you must deliberately close your eyes and immediately turn your head away from the beam.
- Do not make any modifications to the laser equipment.
- Do not use the laser viewing glasses as safety goggles. The laser viewing glasses are used for improved visualisation of the laser beam, but they do not protect against laser radiation.
- Do not use the laser viewing glasses as sun glasses or in traffic. The laser viewing glasses do not afford complete UV protection and reduce colour perception.
- Have the measuring tool repaired only through qualified specialists using original spare parts. This ensures that the safety of the measuring tool is maintained.
- Do not allow children to use the laser measuring tool without supervision. They could unintentionally blind other persons or themselves.
- Do not operate the measuring tool in explosive environments, such as in the presence of flammable liquids, gases or dusts. Sparks can be created in the measuring tool which may ignite the dust or fumes.

Product Description and Specifications

Intended Use

The measuring tool is intended for determining and checking horizontal and vertical lines.

The measuring tool is suitable exclusively for operation in enclosed working sites.

Product Features

The numbering of the product features shown refers to the illustration of the measuring tool on the graphic page.

- Exit opening for laser beam
- Automatic levelling indicator
- Mode button
- On/Off switch
- Latch of battery lid
- Battery lid
- Contact surface
- Laser warning label
- Tripod mount 1/4"
- 10 Tripod*

* The accessories illustrated or described are not included as standard delivery.

Technical Data

360° Laser Line	NL360-2EG
Power	6V, 4-AA Battery
Working time	> 7h
Working range	520nm
Laser power	Class 2, ~1mW
Laser line width	100 LUX, 3mm/5m
Working range	20m
Accuracy	±0.5mm/m
Levelling time	≤ 6s
Levelling range	±4°
Working temperature	0-40 °C
Dimensions (length x width x height)	110 x 65 x 117mm
Weight	482g
Remark/advantage	1. Soft TPE around housing 2. Professional Laser module

The safe use of this product requires an understanding of the information on the tool and in this instruction manual, as well as knowledge of the project you are attempting. Before use of this product, familiarize yourself with all operating features and safety rules.

Power switch

Push the power switch up to turn the self-levelling 360° line laser level on, and slide the power switch down to turn the tool off (fig 1).

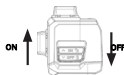


fig1

To install batteries (fig 2)

The battery compartment holds four "AA" batteries.

1. Push the latch to open the battery cover.
2. Insert four new "AA" alkaline batteries, following the polarity (+/-) as indicated on the pole plate.
3. Securely close the cover.



fig. 2

Note:

- Always turn off the tool before installing or replacing the batteries.
- Remove the batteries from the tool when not using it for extended periods.
- The AA batteries should match each other in brand and type.
- Do not mix old and new batteries.
- Remove depleted batteries immediately, and dispose of them according to the laws and regulations governing your community.

fig. 3

Laser line projection modes

Your self-leveling 360° line laser

level has three laser-projection

modes. To select a specific

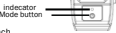
laser-projection mode, press

the mode button until you reach

the desired projection mode. This laser tool defaults to the cross-hair pattern mode when it is turned on.

To choose a projection mode, press the mode button:

1. Press the button once to select two 360° line laser pattern (horizontal and vertical)
2. Press the button twice to select the horizontal 360° line laser.
3. Press the button three times to select the vertical 360° line laser.



Using your self-leveling 360° line laser level

Your self-leveling 360° line laser level has two working modes self-leveling mode and lock (manual) mode.

Self-leveling mode

In this mode, the tool will level itself if it is within ±4° of horizontal.

1. Place the self-leveling 360° line laser level on a flat, smooth surface that is within ±4° of horizontal.
2. Turn the tool on by sliding the power switch to the up position. The self-leveling 360° line laser level will automatically level within 5 seconds. The LED indicator will shine green.
3. Press the button until the desired laser projection mode is achieved and the laser line is projected from the laser aperture.
4. When the self-leveling 360° line laser level is out of leveling the LED will turn to red and the laser line will blink.
5. To turn off the laser lines, slide the switch to down position.



WARNING!

When turning the laser on, always be aware of protecting your eyes and the eyes of those around you. Never point the laser light at anyone's face, including your own.

Lock mode

This mode cannot be used to perform horizontal or vertical leveling, because the laser lines are no longer self-balancing. In this mode, the LED indicator will always shine red.

1. Keep the power switch off, press the mode button to turn on the laser. The laser lines are now locked, are no longer self-leveling.
2. Press the mode button repeatedly to change the laser-projection mode.
3. Slope your self-leveling 360° line laser level to project a straight line for reference. In this mode, the laser lines are projected continuously and will not blink, even if the slope angle exceeds 4°.
4. To turn the laser off, press the mode button repeatedly until the laser shuts off.

Applications

Your self-leveling 360° line laser level can be hand-held for point marking and simple alignment by sight, or it can be used to make a "chalk line" using the lock mode. It is ideal for the following applications:

- Hanging pictures, photos or artworks on walls
- Wallpapering and stencil work
- Framing doors and windows
- Installing electrical wiring and pipes
- Mounting wall fixtures, electrical outlets, switches and lighting
- Painting
- Installing closets
- Laying tile and flooring

Operating environment

- a) indoor use;
- b) altitude up to 2000m;
- c) maximum relative humidity 80% for temperatures up to 31 °C decreasing linearly to 50% relative humidity at 40 °C;
- d) applicable POLLUTION DEGREE of the intended environment (POLLUTION DEGREE 2 in most cases)

Working Advice

working with the Tripod (see figure A)

A tripod **10** offers a stable, height-adjustable measuring support. Place the measuring tool via the tripod mount **9** on the 1/4" male thread of the tripod and screw the locking screw of the tripod tight.

Holding laterally against a wall or object (see figure B)

For quick checking of heights, the measuring tool can be held by the contact surfaces **7** laterally against a vertical wall, cabinets, etc. take care to hold the measuring tool straightly and calmly.

Laser Viewing Glasses (Accessory)

The laser viewing glasses filter out the ambient light. This makes the green light of the laser appear brighter for the eyes.

- **Do not use the laser viewing glasses as safety goggles.**

The laser viewing glasses are used for improved visualisation of the laser beam, but they do not protect against laser radiation.

- **Do not use the laser viewing glasses as sunglasses or in traffic.** The laser viewing glasses do not afford complete UV protection and reduce colour perception.

Maintenance and Service

Maintenance and Cleaning

Store and transport the measuring tool only in the supplied in protective pouch.

Keep the measuring tool clean at all times.

Do not immerse the measuring tool in water or other fluids.

Wipe off debris using a moist and soft cloth. Do not use any cleaning agents or solvents.

Regularly clean the surfaces at the exit opening of the laser particular, and pay attention to any fluff of fibres.

After-sales Service and Application Service

Our after-sales service responds to your questions concerning maintenance and repair of your product as well as spare parts.

Disposal

Measuring tools, accessories and packaging should be sorted for environmental-friendly recycling.

Do not dispose of measuring tools and batteries/rechargeable batteries into household waste!

Only for EC countries:



According to the European Guideline 2012/19/EU, measuring tools that are no longer usable, and according to the European Guideline 2006/66/EC, defective or used battery packs/batteries, must be collected separately and disposed of in an environmentally correct manner.

Subject to change without notice.